

Up/Down Counter/Timer

DIN W48 × H48mm, Preset Counter/Timer

■ Features


- Upgraded counting speed : 1cps/30cps/2kcps/5kcps
- Selectable voltage input (PNP) or No-voltage input (NPN)
- Addition of Up/Down input mode
- Available to set a decimal point (Fixed decimal point of display)
- Wide range of input power supply :
100–240VAC 50/60Hz, 12–24VAC/DC (Option)
- Selectable Counter/Timer by internal DIP switch
- Various time range
- Built-in Microprocessor



⚠ Please read "Caution for your safety" in operation manual before using.



■ Specifications

Model	Single preset		FX4S		_____	
	Dual preset		_____		FX5S-I	
Digit			4		5	
Digit size			W3.8×H7.6mm		W4×H8mm	
Power supply			100–240VAC 50/60Hz, 12–24VAC/DC (Option)			
Allowable voltage range			90 ~ 110% of rated voltage			
Power consumption			<ul style="list-style-type: none"> • Indication type : Approx. 4.7VA (240VAC 60Hz), Approx. 5.6VA (24VAC 60Hz), Approx. 2.8W (24VDC) • Single preset : Approx. 5.7VA (240VAC 60Hz), Approx. 4.5VA (24VAC 60Hz), Approx. 3W (24VDC) 			
Max. counting speed for CP1, CP2			Selectable 1cps/30cps/2kcps/5kcps by internal DIP switch			
Min. input signal width	INHIBIT input		Approx. 20ms			
	RESET input					
Input	CP1, CP2 input (INHIBIT)		Input logic is selectable [Voltage input] Input impedance : 5.4kΩ "H" level : 5–30VDC, "L" level : 0–2VDC [No-voltage input] Impedance at short-circuit : Max. 1kΩ, Residual voltage at short-circuit : Max. 2VDC, Impedance at open-circuit : Max. 100kΩ			
	RESET input					
One-shot output time			0.05 ~ 5sec		_____	
Control output	Contact	Type	SPDT (1c)		_____	
		Capacity	250VAC 3A at resistive load		_____	
	Solid-state	Type	NPN open collector		_____	
		Capacity	30VDC Max. 100mA Max.		_____	
Memory protection			10 years (When using non-volatile semiconductor memory)			
External power			12VDC ±10% 50mA Max.			
Dielectric strength			Min. 100MΩ (at 500VDC mega)			
Insulation resistance			2000VAC 50/60Hz for 1 minute			
Noise strength	AC power		±2kV the square wave noise (pulse width:1μs) by the noise simulator			
	DC power		±500V the square wave noise (pulse width:1μs) by the noise simulator			
Vibration	Mechanical		0.75mm amplitude at frequency of 10 ~ 55Hz in each of X, Y, Z directions for 1 hour			
	Malfunction		0.5mm amplitude at frequency of 10 ~ 55Hz in each of X, Y, Z directions for 10 minutes			
Shock	Mechanical		300m/s ² (Approx. 30G) in X, Y, Z directions for 3 times			
	Malfunction		100m/s ² (Approx. 10G) in X, Y, Z directions for 3 times			
Relay life cycle	Mechanical		Min. 10,000,000 times			
	Electrical		Min. 100,000 times (250VAC 3A at resistive load)			
Ambient temperature			–10 ~ +55°C (at non-freezing status)			
Storage temperature			–25 ~ +65°C (at non-freezing status)			
Ambient humidity			35 ~ 85%RH			
Unit weight			AC type : Approx. 147g, DC type : Approx. 153g		AC type : Approx. 137g, DC type : Approx. 143g	
Approval						

(A)
Counter

(B)
Timer

(C)
Temp.
controller

(D)
Power
controller

(E)
Panel
meter

(F)
Tacho/
Speed/
Pulse
meter

(G)
Display
unit

(H)
Sensor
controller

(I)
Switching
power
supply

(J)
Proximity
sensor

(K)
Photo
electric
sensor

(L)
Pressure
sensor

(M)
Rotary
encoder

(N)
Stepping
motor &
Driver &
Controller

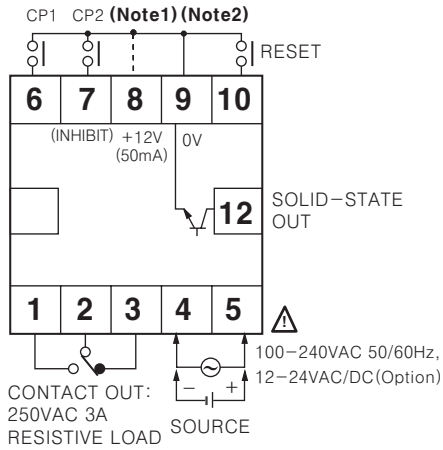
(O)
Graphic
panel

(P)
Production
stoppage
models &
replacement

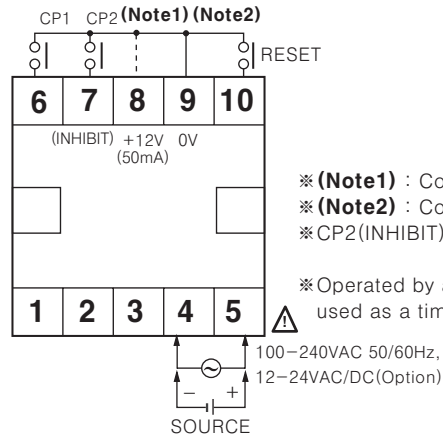
FXS Series

Connections

FX4S



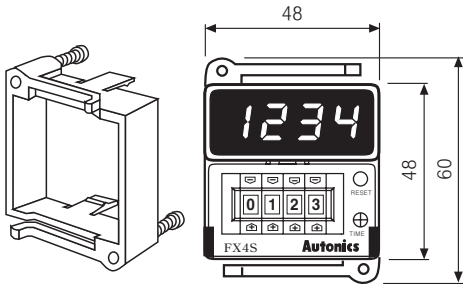
FX5S-I



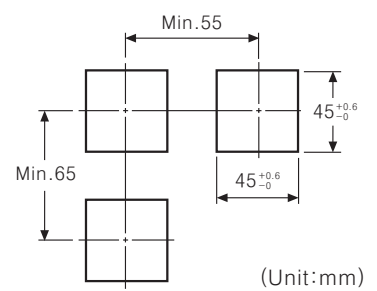
- ※ (Note1) : Connection of PNP input
- ※ (Note2) : Connection of NPN input
- ※ CP2 (INHIBIT) : Time Hold terminal when using for timer.
- ※ Operated by a power ON start when it is used as a timer.

Dimensions

Bracket



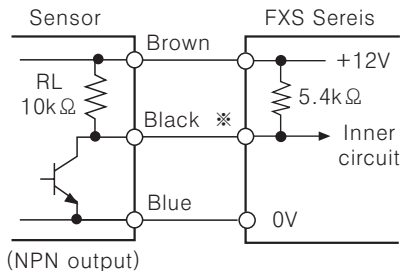
Panel cut-out



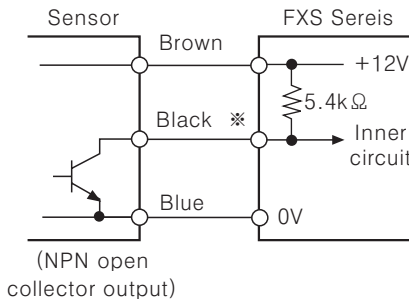
Input connections

Input logic : No-voltage (NPN) input

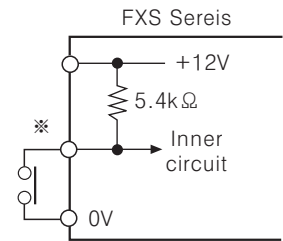
Solid-state input (Standard sensor : NPN output type sensor)



※ CP1, CP2 (INHIBIT), RESET input



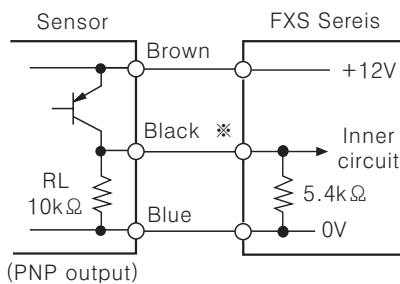
Contact input



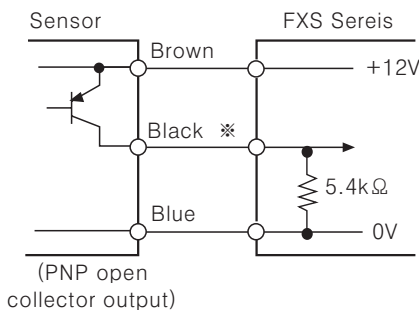
※ Please select the counting speed as 30cps when it is used for counter.

Input logic : Voltage (PNP) input

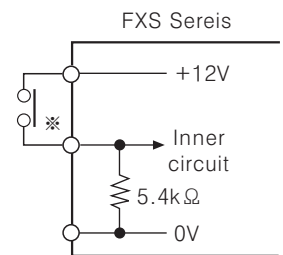
Solid-state input (Standard sensor : PNP output type sensor)



※ CP1, CP2 (INHIBIT), RESET input



Contact input



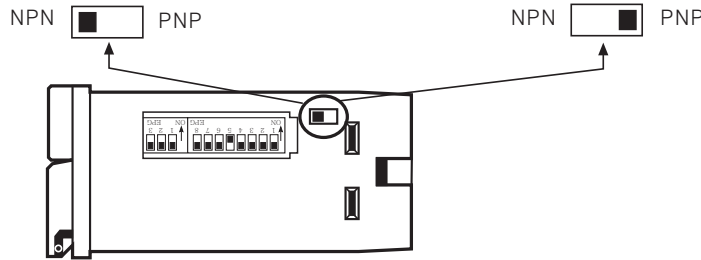
※ Please select the counting speed as 30cps when it is used for counter.

Up/Down Counter/Timer

Input logic selection

● Select NPN (No-voltage input)

● Select PNP (Voltage input)

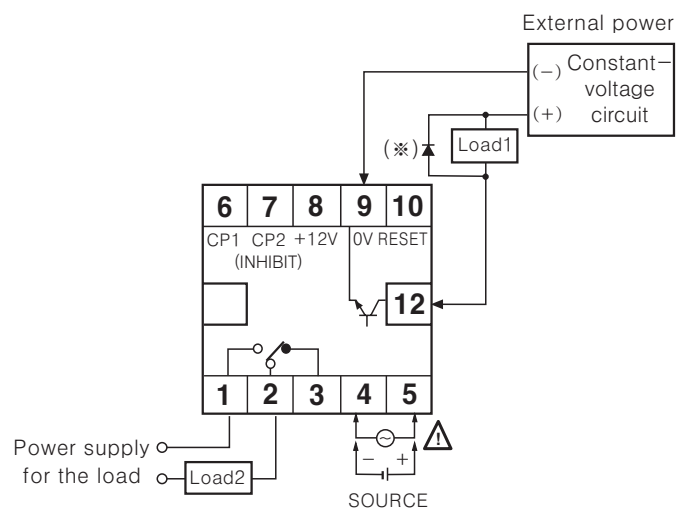
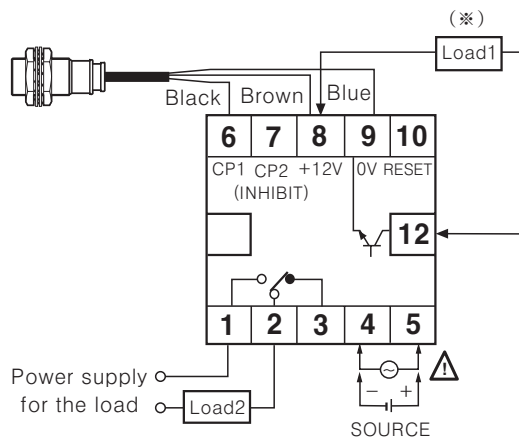


※ Please be sure to turn OFF the power before changing input logic.

Input & Output connections

◎ In case of operating the load by power supply of the sensor

◎ In case of operating the load by external power supply



● (※) Please select proper capacity of load, because total current consumption should not exceed current capacity. (Max. 50mA)

● Contact capacity : Max. 250VAC 3A

● The capacity of Load1 must not exceed Max. 30VDC, Max. 100mA of the switching capacity of the transistor.

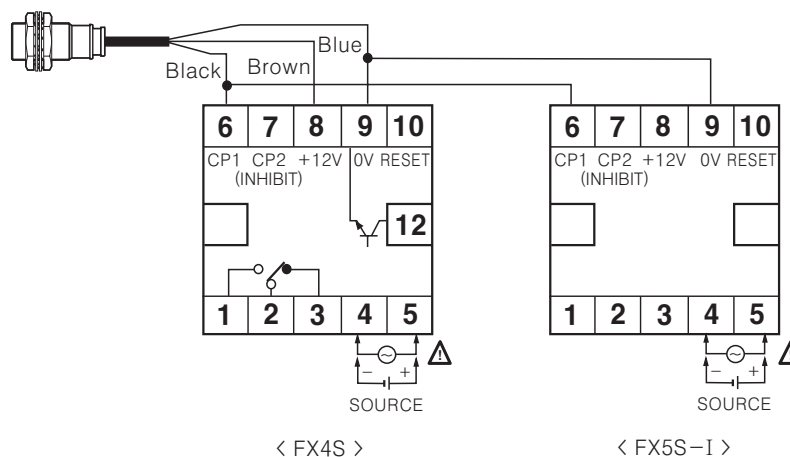
● Please do not supply the reverse polarity voltage.

● (※) Please connect the surge absorber (Diode) at both terminals of Load1, in case of using the inductive load. (Relay, etc.)

◎ Using 2 counters with one sensor

● It is available to use 2 counters with one sensor.

Please connect as the power of sensor is supplied from only one of counters and design input logic with same way.



(A) Counter

(B) Timer

(C) Temp. controller

(D) Power controller

(E) Panel meter

(F) Tacho/Speed/Pulse meter

(G) Display unit

(H) Sensor controller

(I) Switching power supply

(J) Proximity sensor

(K) Photo electric sensor

(L) Pressure sensor

(M) Rotary encoder

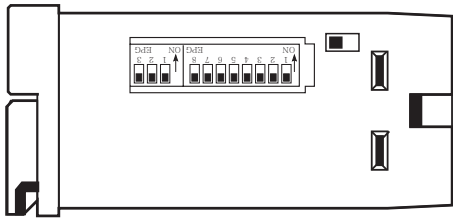
(N) Stepping motor & Driver & Controller

(O) Graphic panel

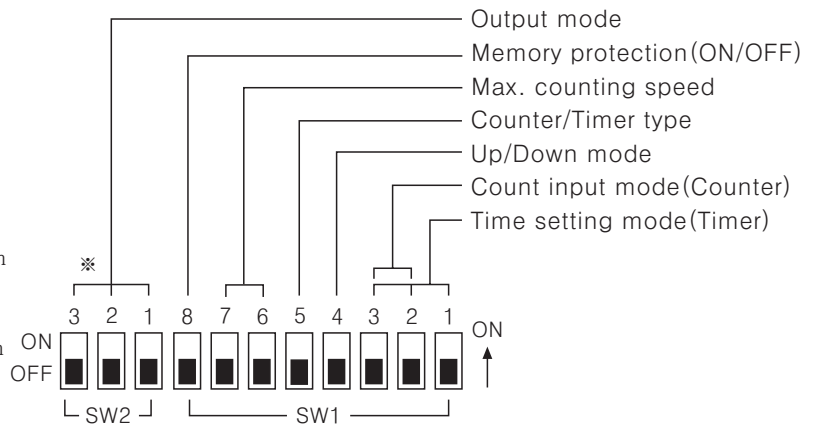
(P) Production stoppage models & replacement

FXS Series

■ Description of inner DIP switches



- ※ Inner selection switch is changed from 10pin to 11pin with upgrade of counting speed.
- ※ There is no output operation mode in indication type (FX5S-I) and SW2 selection switch.



● Up/Down mode

SW1	Function
ON <input type="checkbox"/> OFF <input type="checkbox"/>	Down mode
ON <input type="checkbox"/> OFF <input type="checkbox"/>	Up mode

● Counter/Timer

SW1	Function
ON <input type="checkbox"/> OFF <input type="checkbox"/>	Counter
ON <input type="checkbox"/> OFF <input type="checkbox"/>	Timer

● Memory protection

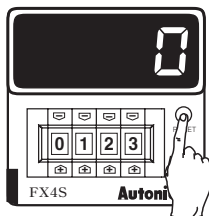
SW1	Function
ON <input type="checkbox"/> OFF <input type="checkbox"/>	Disable the memory protection
ON <input type="checkbox"/> OFF <input type="checkbox"/>	Enable the memory protection

● Max. counting speed

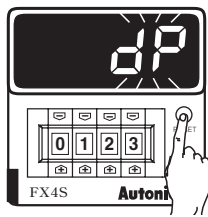
SW1	CP1, CP2
ON <input type="checkbox"/> OFF <input type="checkbox"/>	1cps
ON <input type="checkbox"/> OFF <input type="checkbox"/>	30cps
ON <input type="checkbox"/> OFF <input type="checkbox"/>	2kcps
ON <input type="checkbox"/> OFF <input type="checkbox"/>	5kcps

■ Setting function of Decimal point

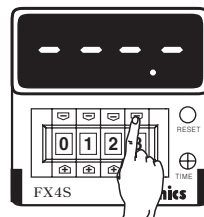
Display the decimal point.



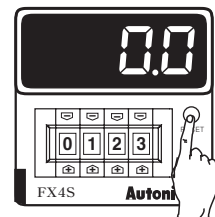
RUN mode



※ When "dP" flashes, touch RESET button once.



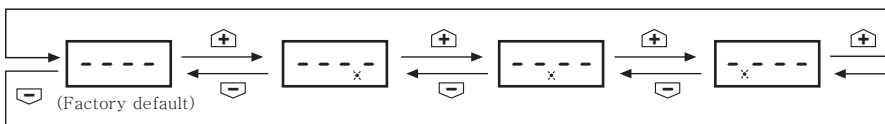
※ Set the position of decimal point using +, - buttons of digital switch.



Return to RUN mode

※ It returns to RUN mode by press RESET button over 3sec.

● Changing the decimal point





※ It returns to RUN mode if no RESET button or digital switch is applied for 60sec. in decimal point setting status.

※ The decimal point setting is not existed in indication type.

Up/Down Counter/Timer

Input operation mode(Counter)

Input mode			No-voltage input(NPN)	Voltage input(PNP)
ON  OFF 	Count up mode	Up/Down-A (Command input)		
		Up/Down-B (Individual input)		
		Up/Down-C (Phase difference input)		
		Up (Count up input)		
	Count down mode	Up/Down-D (Command input)		
		Up/Down-E (Individual input)		
		Up/Down-F (Phase difference input)		
Down (Count down input)				

*Ⓐ : Over Min. signal width, Ⓑ : Over 1/2 of Min. signal width.

If the signal width of Ⓐ or Ⓑ is less than Min. signal width, ±1 of count error is occurred.

(A) Counter

(B) Timer

(C) Temp. controller

(D) Power controller

(E) Panel meter

(F) Tacho/Speed/Pulse meter

(G) Display unit

(H) Sensor controller

(I) Switching power supply

(J) Proximity sensor

(K) Photo electric sensor

(L) Pressure sensor

(M) Rotary encoder

(N) Stepping motor & Driver & Controller

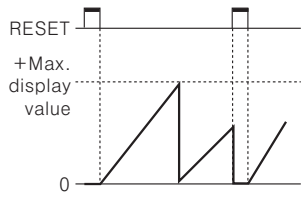
(O) Graphic panel

(P) Production stoppage models & replacement

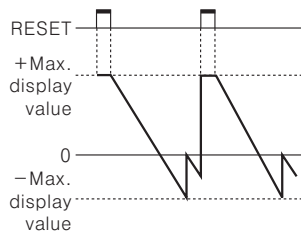
FXS Series

Counting operation of indication type(Counter)

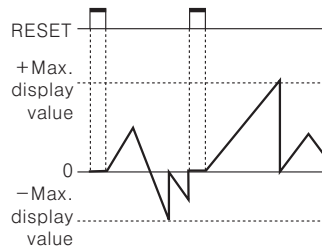
Up input mode



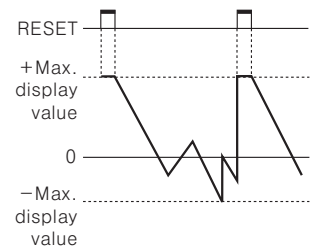
Down input mode



Up/Down-A, B, C input mode

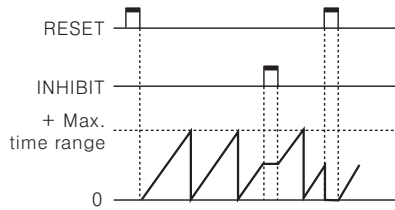


Up/Down-D, E, F input mode

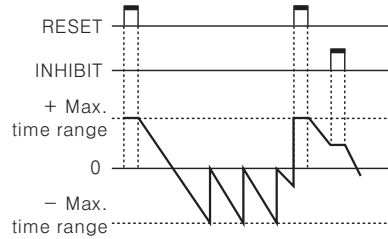


Time operation of indication type(Timer)

Up input mode



Down input mode



Time setting mode(Timer)

SW1	4Digit	5Digit
1 2 3 ON [] [] [] OFF [] [] []	99.99sec	9999.9sec
1 2 3 ON [] [] [] OFF [] [] []	999.9sec	99999sec
1 2 3 ON [] [] [] OFF [] [] []	9999sec	9min 59.99sec
1 2 3 ON [] [] [] OFF [] [] []	99min 59sec	99min 59.9sec
1 2 3 ON [] [] [] OFF [] [] []	999.9min	9999.9min
1 2 3 ON [] [] [] OFF [] [] []	99hour 59min	9hour 59min 59sec
1 2 3 ON [] [] [] OFF [] [] []	999.9hour	999hour 59min
1 2 3 ON [] [] [] OFF [] [] []	9999hour	9999.9hour

Up/Down Counter/Timer

Output operation mode (by internal DIP switch)

■ ← One-shot output (0.05~5sec)

□ ← Retained output

Output mode (SW1)	ON 4 OFF 1		Operation after count up
	Up mode Up / Down-A, B, C	Down mode Up / Down-D, E, F	
F 8 9 10 ON [] [] [] OFF [] [] []			The display value continues until reset signal is applied then output is held. • Retained output will be maintained until Reset signal is applied.
N 8 9 10 ON [] [] [] OFF [] [] []			Display value and retained output are maintained until Reset signal is applied.
C 8 9 10 ON [] [] [] OFF [] [] []			The display value returns to reset start status as soon as display value is reached to preset value.
R 8 9 10 ON [] [] [] OFF [] [] []			The display value is held until output is OFF then returns to reset start status.
K 8 9 10 ON [] [] [] OFF [] [] []			The display value continues until reset signal is applied.
P 8 9 10 ON [] [] [] OFF [] [] []			The display value is held during one-shot output time, counting process is returned to reset start status as soon as output is ON.
Q 8 9 10 ON [] [] [] OFF [] [] []			The display value continues during one-shot output time.
S	Up input	Down input	<ul style="list-style-type: none"> • Up, UP/Down-A, B, C input mode - Output is ON when (Display value) ≥ (Preset value) • Down, UP/Down-D, E, F input mode - Output is ON when (Display value) ≤ (Zero)
Counter 8 9 10 ON [] [] [] OFF [] [] []	Up / Down-A, B, C	Up / Down-D, E, F	
S Timer 8 9 10 ON [] [] [] OFF [] [] []			The output turns ON after the setting time and then turns OFF after the setting time. This operation is repeated sequentially. (Flashing)

*One-shot output time is set by front TIME adjuster.

(A) Counter

(B) Timer

(C) Temp. controller

(D) Power controller

(E) Panel meter

(F) Tacho/Speed/Pulse meter

(G) Display unit

(H) Sensor controller

(I) Switching power supply

(J) Proximity sensor

(K) Photo electric sensor

(L) Pressure sensor

(M) Rotary encoder

(N) Stepping motor & Driver & Controller

(O) Graphic panel

(P) Production stoppage models & replacement

FXS Series

■ Proper usage

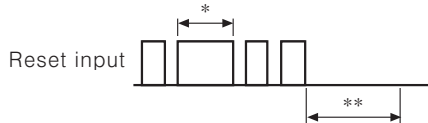
◎ Reset function

● Reset

In case of changing the input mode after supplying the power, please take external reset or manual reset. **If reset is not executed, the counter will be working as previous mode.**

● Reset signal width

It is reset perfectly when the reset signal is applied during **max. 20ms** regardless of the contact input & solid-state input.



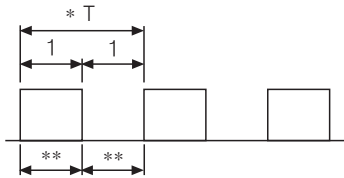
*In case of a contact reset, it is reset perfectly if the ON time of reset signal is applied during max. 20ms even though a chattering is occurred.

**It can be input the signal of CP1, CP2 after max. 50ms from closing time of reset signal.

◎ Sensor power

The power 12VDC which is provided to sensor is built in it. Please use it under Max. 50mADC.

◎ Min. signal width of CP1, CP2 input



*Please make duty ratio(ON/OFF) 1:1

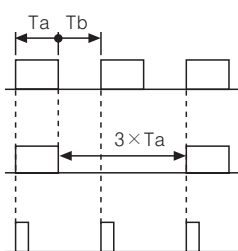
** Min. signal width

- 1cps : Min. 500ms
- 30cps : Min. 16.7ms
- 2kcps : Min. 0.25ms
- 5kcps : Min. 0.1ms

◎ Max. counting speed

This is a response speed per 1 sec. when the duty ratio(ON:OFF) of input signal is 1:1.

If the duty ratio is not 1:1, the width between ON and OFF should be over min. signal width and the response speed will getting slower against input signal. And one of ON width and OFF width is under min. signal width, this product may not respond.

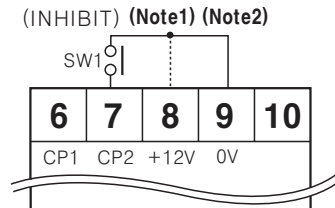


Width of Ta(ON) and Tb(OFF) must be larger than Min. signal width.

Max. counting speed is 1/2 value of catalog spec. when duty ratio is 1:3.

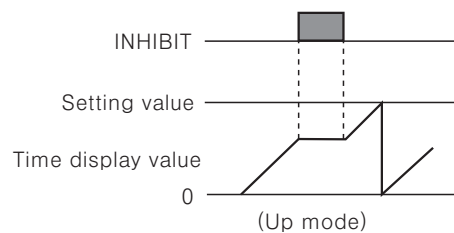
It can not respond because Max. signal width (1a) is small.

◎ INHIBIT(When using as Timer)



※ (Note1):PNP input
 ※ (Note2):NPN input

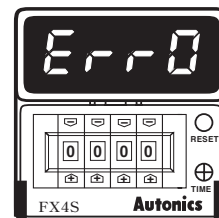
- If SW1 is ON, it becomes INHIBIT. (Time Hold)
- When power is applied, it starts to progress and INHIBIT mode is used to stop the time is under the progress at the moment.
- When SW1 is OFF, timer starts to progress again.



◎ Error display

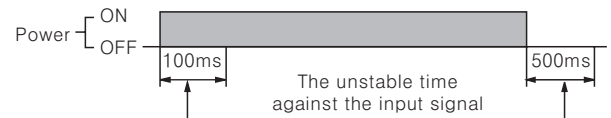
Error signal	Error description	Returning method
Err0	Zero setting status	Change the setting value to non zero status

※ When Error is displayed, the output continues OFF state.
 ※ There is no Error function in indicator.

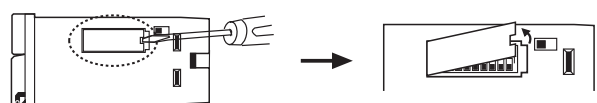


◎ Power

The inner circuit voltage starts to rise up for the first 100ms after power on, the input may not work at this time. And also the inner circuit voltage drops down for the last 500ms after power off, the input may not work at this time.



◎ Case & DIP switch detachment



Push a lock part to front direction and widen it simultaneously.

※ Please be careful of the injury caused by tools.