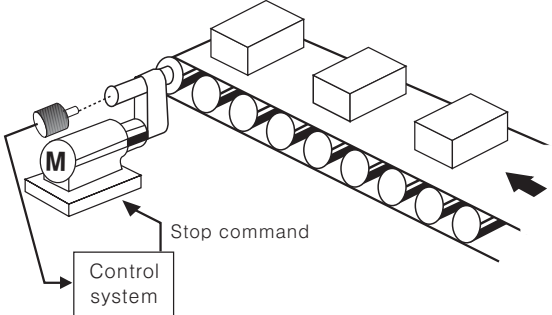
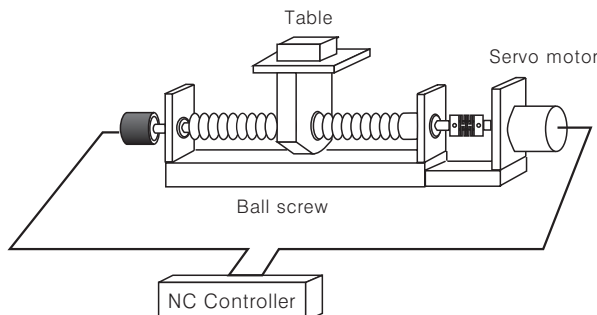
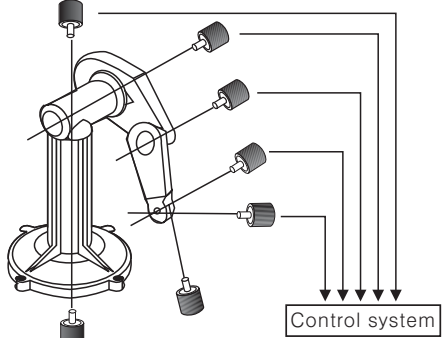
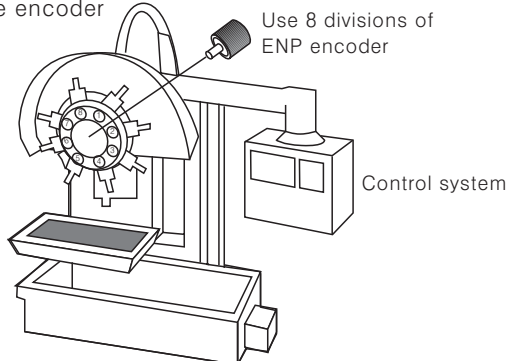
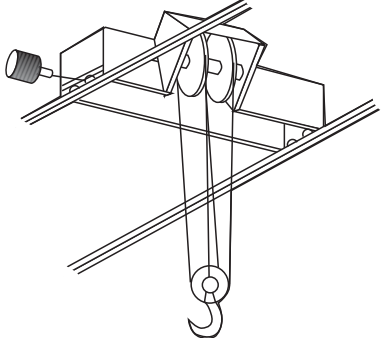
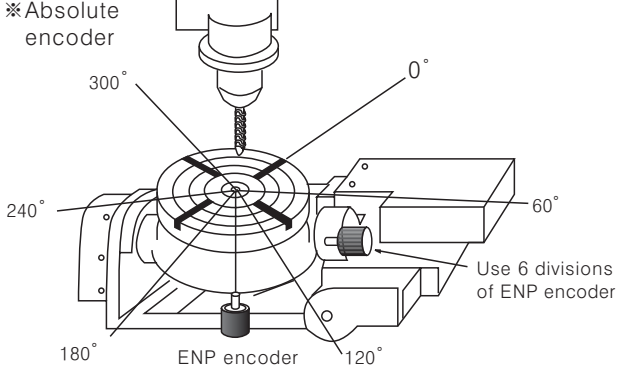
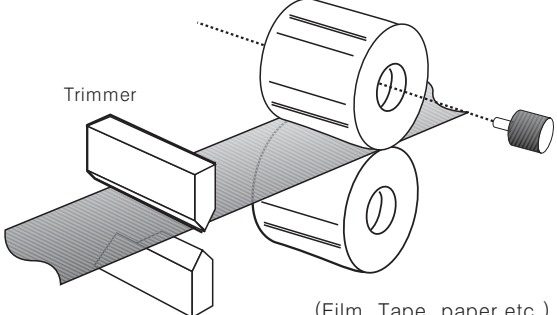


# Applications

## ■ Applications

<p>Stopping the motor at right position</p> <p>※ Incremental encoder</p> 	<p>X, Y table positioning of NC tooling machine</p> <p>※ Incremental encoder</p> 
<p>Measuring of Robot arm's angle and position</p> <p>※ Incremental encoder</p> 	<p>Controlling drill's position of NC machine</p> <p>※ Absolute encoder</p> <p>Use 8 divisions of ENP encoder</p> 
<p>Controlling position of moving crane</p> <p>※ Incremental encoder</p> 	<p>Controlling table's angle of NC machine</p> <p>※ Absolute encoder</p> <p>Use 6 divisions of ENP encoder</p> 
<p>Measuring the length of sheet</p> <p>※ Incremental encoder</p> <p>Trimmer</p>  <p>(Film, Tape, paper etc.)</p>	<p>Controlling entrance and exit of car</p> <p>※ Absolute encoder</p> 